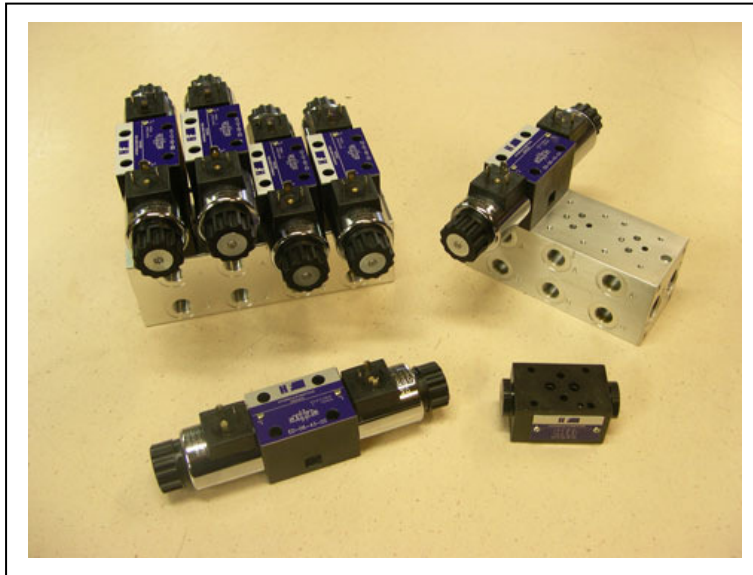


HF CETOP 3 NG6 valves

CETOP 3 NG6 valves for hydraulic power packs and other hydraulic applications



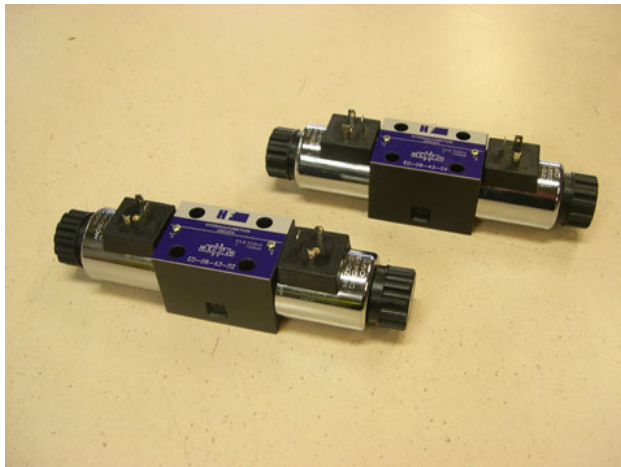
**exported to more than 20 countries,
- world wide! -**

HF CETOP 3 NG6 valves

Hydraulfunktion can offer a small range of solenoid operated CETOP NG6 valves, commonly used in hydraulic power packs and other hydraulic applications.

HF CETOP 3 NG6 valves

for hydraulic applications



HF CETOP 3 NG6 valves

HF „ED-series“ CETOP3 NG6 valves are electro-hydraulic spool type valves.

They are solenoid operated and control the start, stop and direction of the oil flow in the hydraulic circuit.

They are used for hydraulic power packs as well as for stand alone hydraulic manifold blocks.

hydraulic symbol	type
	ED-06-43-01
	ED-06-43-02
	ED-06-43-03
	ED-06-43-04

specification

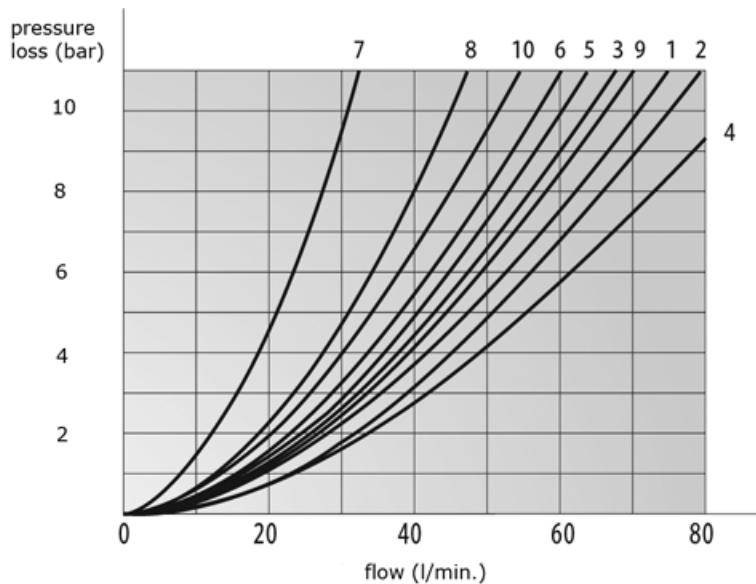
size:	CETOP3 NG6
seal material:	NBR
max. working pressure:	P, A, B = 315bar T = 100bar
max. flow	80 l/min.
fluid temperature:	-20° to +70°
oil viscosity:	2,8 to 380 (mm ² /s)
voltage:	12VDC / 24VDC
weight:	1,95kg
switch cycles:	open: 50~60 ms close: 50~70 ms
switch frequency:	15.000 times per hour
Insulation grade:	IP65

HF CETOP 3 NG6 valves

for hydraulic applications

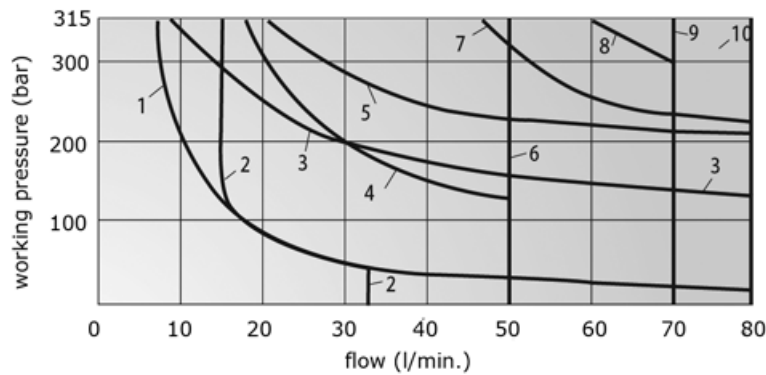


Performance curve (HLP46; 40°±5°)

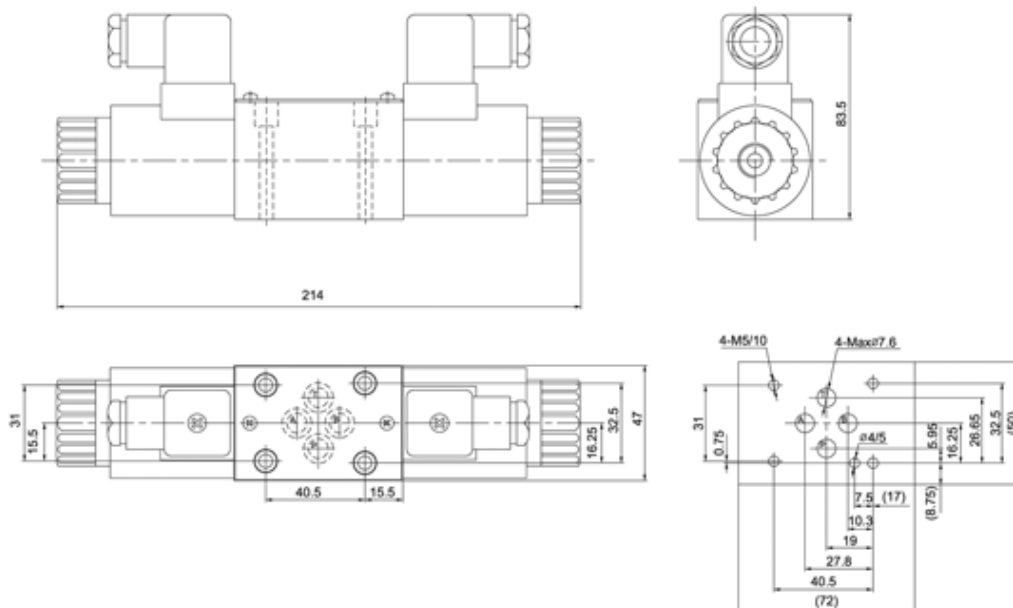


valve type	flow direction			
	P→A	P→B	A→T	B→T
ED-06-43-01	10	10	9	9
ED-06-43-02	3	3	1	1
ED-06-43-03	2	4	2	2
ED-06-43-04	1	1	2	1

limits of the performance



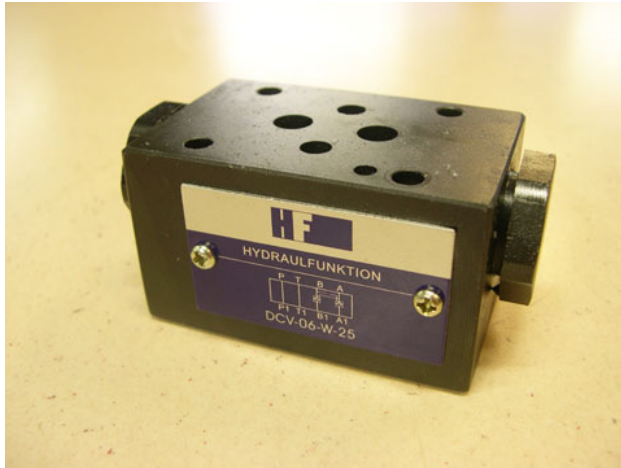
DC solenoids (12V, 24V)	
valve type	curve
ED-06-43-01	6
ED-06-43-02	10
ED-06-43-03	6
ED-06-43-04	5



HYDRAULFUNKTION AB

Kungsgatan 67 | S-341 32 Ljungby | hf@hydraulfunktion.se | Tel.: +46(0)372-15840 | Fax.: +46(0)372-15843

HF CETOP 3 NG6 valves for hydraulic applications



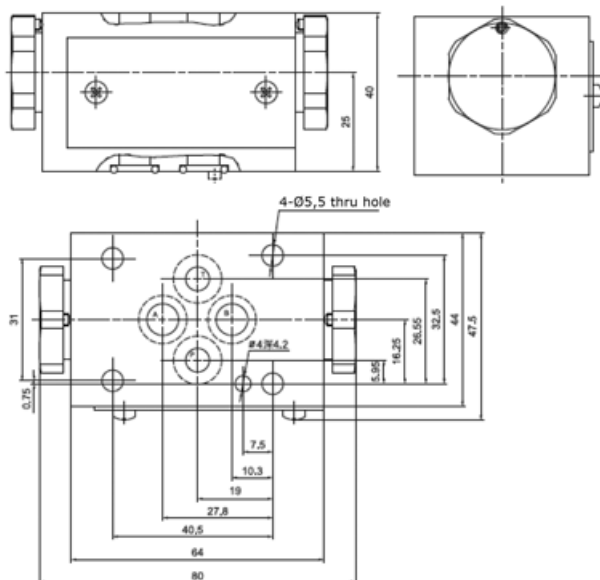
HF CETOP 3 NG6 valves

HF „DCV-type“ and „PCV-type“ are pilot-operated check valves.

They are sub-plate mounted valves and are used in combination with „ED-series“ valves.

They are used for hydraulic power packs as well as for stand alone hydraulic manifold blocks.

DCV-06-W-25		PCV-06-A-25		PCV-06-B-25
double pilot operated check valve		line „A“		line „B“



specification

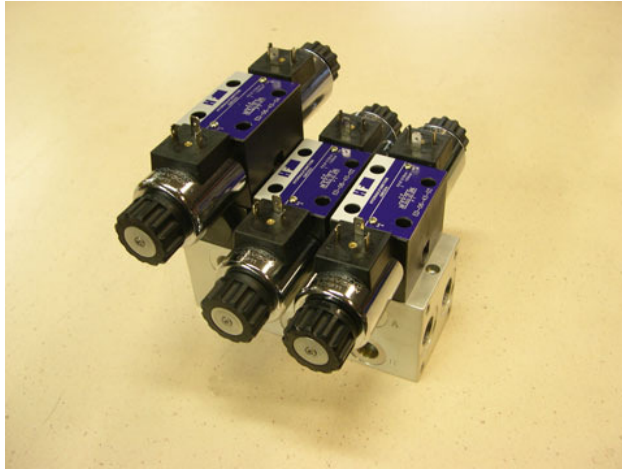
size:	CETOP3 NG6
seal material:	NBR
cracking pressure:	2,5bar
max. working pressure:	315
max. flow	60 l/min.
fluid temperature:	-20° to +70°
weight:	0,8kg

HYDRAULFUNKTION AB

Kungsgatan 67 | S-341 32 Ljungby | hf@hydraulfunktion.se | Tel.: +46(0)372-15840 | Fax.: +46(0)372-15843

HF CETOP 3 NG6

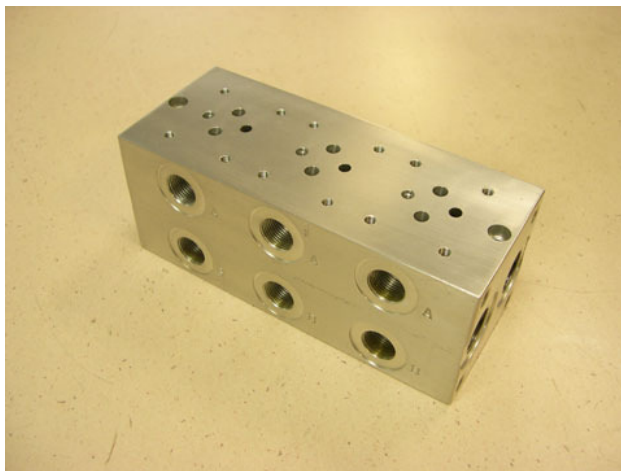
manifold blocks for hydraulic applications



HF CETOP 3 NG6 manifold blocks

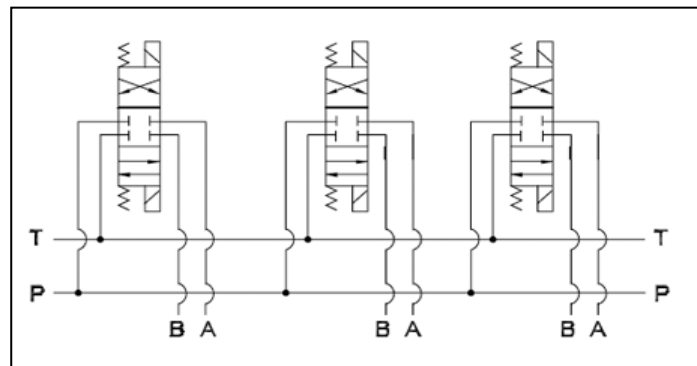
HF CETOP3 NG6 3 segment manifold blocks can be equipped with 3pc NG6 directions valves in combination with subplate valves (e.g. DCV / PCV check valve series)

These 3 segment manifold blocks are „parallel“ types, allowing to control 3 different hydraulic cylinders.



specification

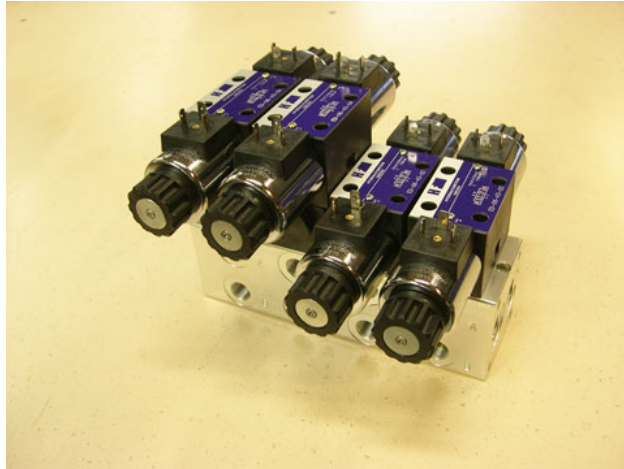
size:	CETOP3 NG6
material:	aluminium
max. working pressure:	280bar
ports:	T and P = G1/2" A and B= G3/8"



example circuit
with 3 segment NG6 manifold block

HF CETOP 3 NG6

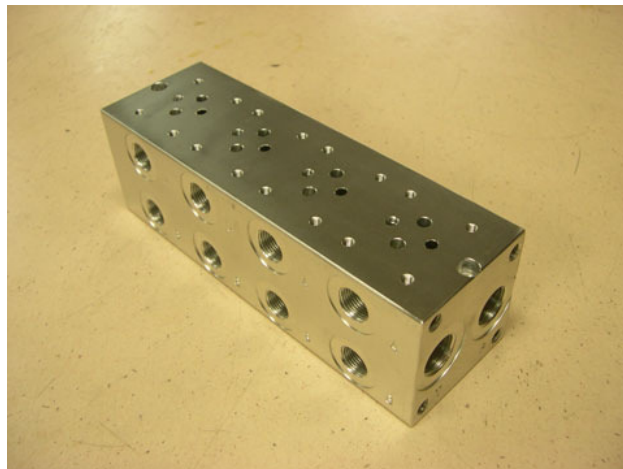
manifold blocks for hydraulic applications



HF CETOP 3 NG6 manifold blocks

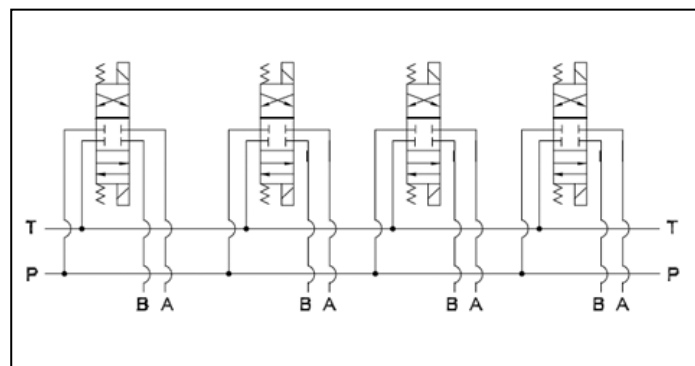
HF CETOP3 NG6 4 segment manifold blocks can be equipped with 4pc NG6 directions valves in combination with subplate valves (e.g. DCV / PCV check valve series)

These 4 segment manifold blocks are „parallel“ types, allowing to control 4 different hydraulic cylinders.



specification

size:	CETOP3 NG6
material:	aluminium
max. working pressure:	280bar
ports:	T and P = G1/2"
	A and B= G3/8"



example circuit
with 4 segment NG6 manifold block



What does HYDRAULFUNKTION stand for?

HYDRAULFUNKTION is dedicated to customer satisfaction. Our goal is to offer our customers

- good service
- good quality products
- a fair price even at low quantities
- the best technical support

HYDRAULFUNKTION is specialized in the production of small and medium size series. We want to give small companies in the vehicle building industry access to products, services and PRICES that are common in the high volume OEM markets.

We know, that small manufacturers in the vehicle building are doing a wonderful job; innovative and flexible. We want to support this type of company.

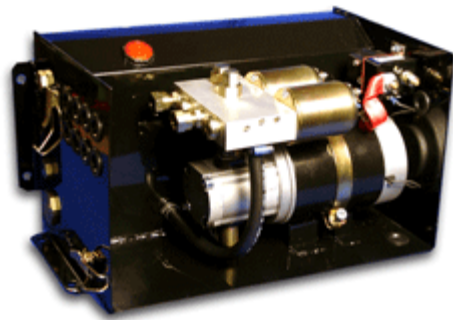
If you have any ideas, questions or problems, please don't hesitate to contact HYDRAULFUNKTION AB.

HYDRAULFUNKTION AB
Kungsgatan 67
S-341 32 Ljungby
hf@hydraulfunktion.se
Tel.: +46(0)372-15840
Fax.: +46(0)372-15843

Other HF products

HYDRAULFUNKTION is manufacturing dc hydraulic power pack and hydraulic components. This includes 3 main product groups

dc box power packs



dc compact power packs



Dc motor-pump units





Impress

General:

This catalogue has been written with greatest concerns. Still it can contain errors and mistakes. For errors and mistakes the author can nor be made legally liable.

Layout and content: Hydraulfunktion GmbH

Version: 10.0403

Publishing date: 03. April 2010

HF
power packs

For mobile hydraulics

Contact

Hydraulfunktion AB **Production / Supplier**

Kungsgatan 67
(S) 341 32 Ljungby
Sweden

Tel: +46 (0)372 - 15840

Fax: +46 (0)372 - 15843

Email: hf@hydraulfunktion.se